



## ***FT-50ML***

### 世界最寬光纖感應器

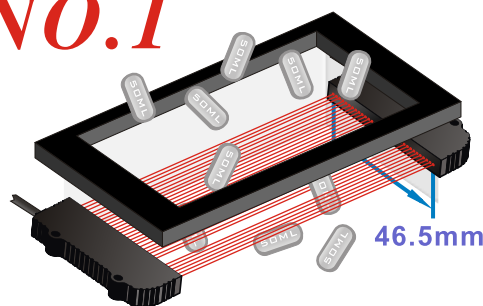
#### Characteristics

- Widest globally
- High sensitivity

#### Widest globally / 業界第一寬

Detecting dropping objects  
檢測不規則產品掉落

## ***NO.1***

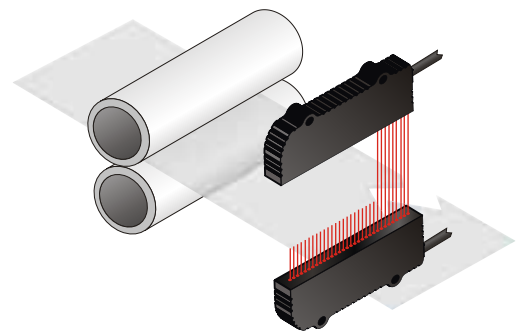


50ML series is the globally widest fiber array (*width:46.5mm*), allows greater sensing range.

50ML為世界最寬(46.5mm)的矩陣型光纖，讓您的檢測範圍更長

#### High sensitivity / 感應度高

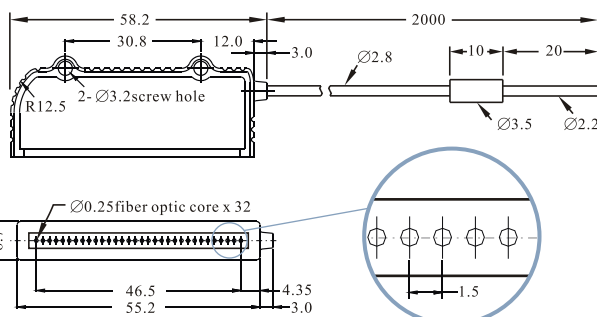
Detecting rupture of thin film  
缺口斷裂檢測



Premium quality that can detect an object as a thin film.

光纖品質高，能夠感應到如薄膜樣的物體

#### FT-50ML-20



Fiber material	Plastic
Fiber Type	Multiple-core
Fiber diameter	D Ø2.8 d Ø0.25x32
Operate temperature	-55°C ~ +70°C
Minimum bending radius	R60
Sensing distance/FZ1-N	300mm